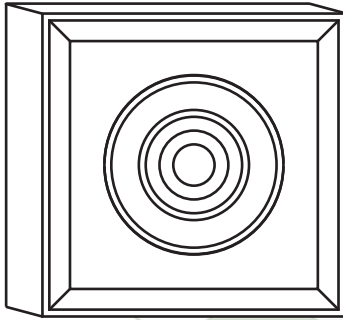
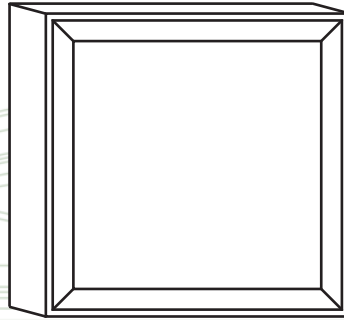


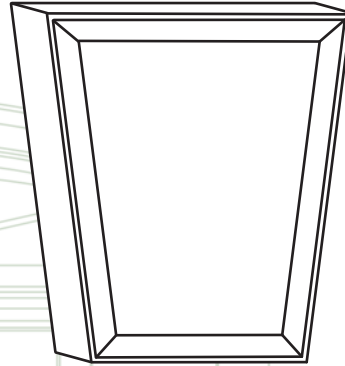
Blocks



Rosette Casing Block



Plain Casing Block



Keystone

Available in 1 1/16" or 1 3/8" thicknesses in squares of
2 3/4", 3 1/4", 3 1/2", 4", 4 1/4", & 4 3/4"
OAK, POP

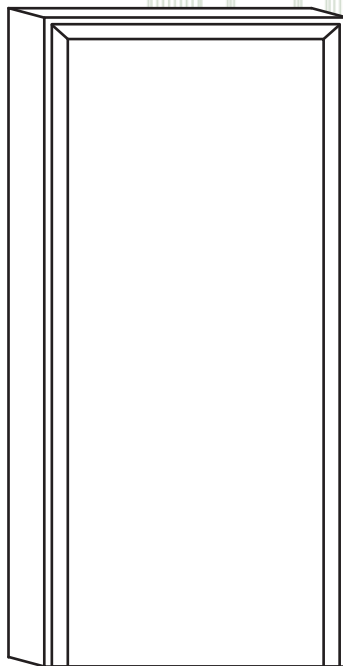
Size (Thickness x Height x Top Width x
Bottom Width)

1 1/16" x 4" x 3 1/4" x 2 1/4" (For 2 3/4" Casing)

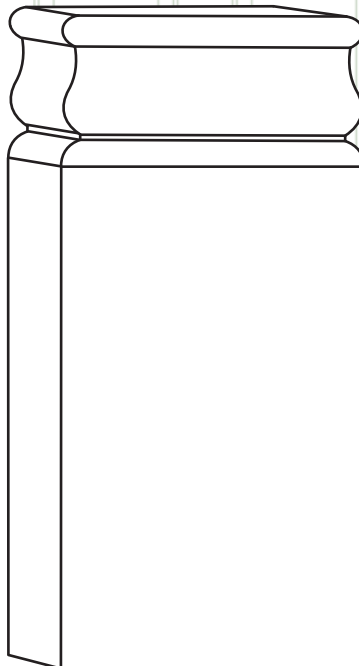
1 1/16" x 4 3/4" x 4" x 2 3/4" (For 3 1/2" Casing)

1 1/16" x 5 1/2" x 4 3/4" x 3 1/2" (For 4 1/4" Casing)

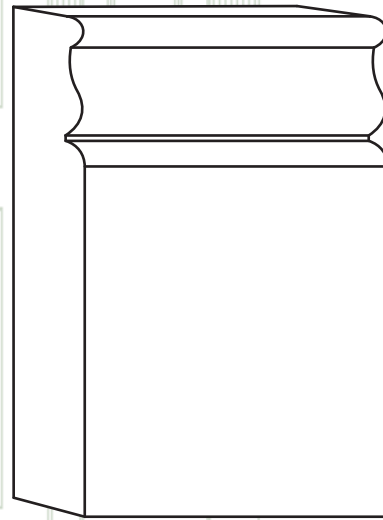
OAK, POP



Ogee Plinth Block



Three Sided Plinth Block



One Sided Plinth Block

Available in 1 1/16" or 1 3/8" thicknesses, all in 8 1/2" heights
Widths: 2 3/4", 3 1/4", 3 1/2", 4", 4 1/4", & 4 3/4"
OAK, POP

1 1/16" x 3 1/2" w x 6 1/2" h

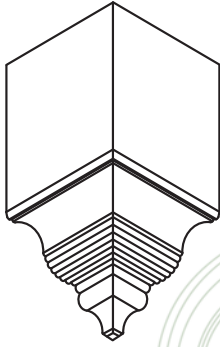
1 1/16" x 3 3/4" w x 6 1/2" h

1 1/16" x 4 1/2" w x 8" h

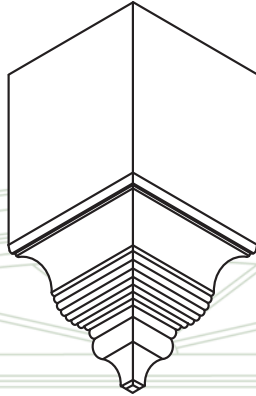
1 1/16" x 5 1/2" w x 9 1/4" h

OAK, POP

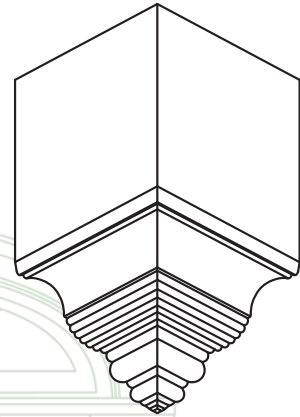
Blocks



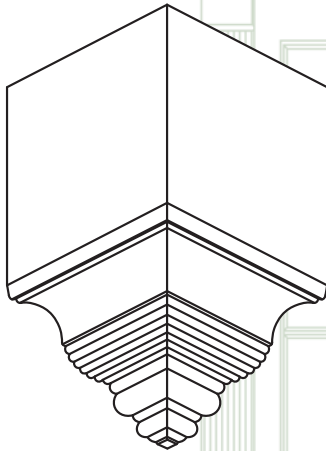
112-RD-ICB 412
3 1/2" x 3 1/2" x 4 1/2"



128-RD-ICB 5
4" x 4" x 5"



144-RD-ICB 512
4 1/2" x 4 1/2" x 5 1/2"

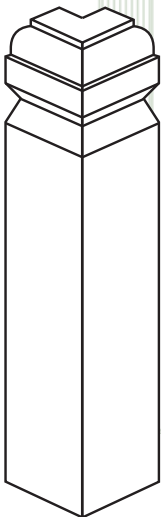


176-RD-ICB 612
5 1/2" x 5 1/2" x 6 1/2"

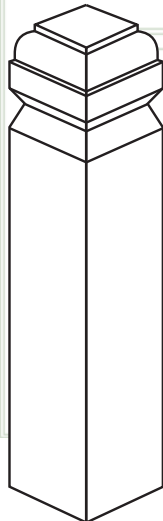
The blocks pictured above are Inside Corner Crown Blocks

Decorative Outside Corner Crown Blocks
Are Also Available in the Following Sizes:

- POP 224-RD-OCB 412 - 7" x 7" x 4 1/2"
- POP 256-RD-OCB 5 - 8" x 8" x 5"
- POP 288-RD-OCB 512 - 9" x 9" x 5 1/2"
- POP 352-RD-OCB 612 - 11" x 11" x 6 1/2"



3636-K-OCB
1 1/8" x 1 1/8" x 7" or 10"
OAK, POP



3636-K-ICB
1 1/8" x 1 1/8" x 7" or 10"
OAK, POP



4848-OCB
1 1/2" x 1 1/2" x 7" or 10"
OAK, POP



3636-ICB
1 1/8" x 1 1/8" x 7" or 10"
OAK, POP