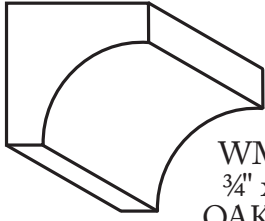
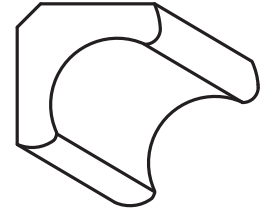


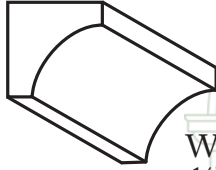
## Cove Profiles



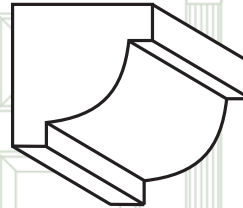
WM93  
3/4" x 3/4"  
OAK, WP



2424-I  
3/4" x 3/4"  
CHE, OAK, POP



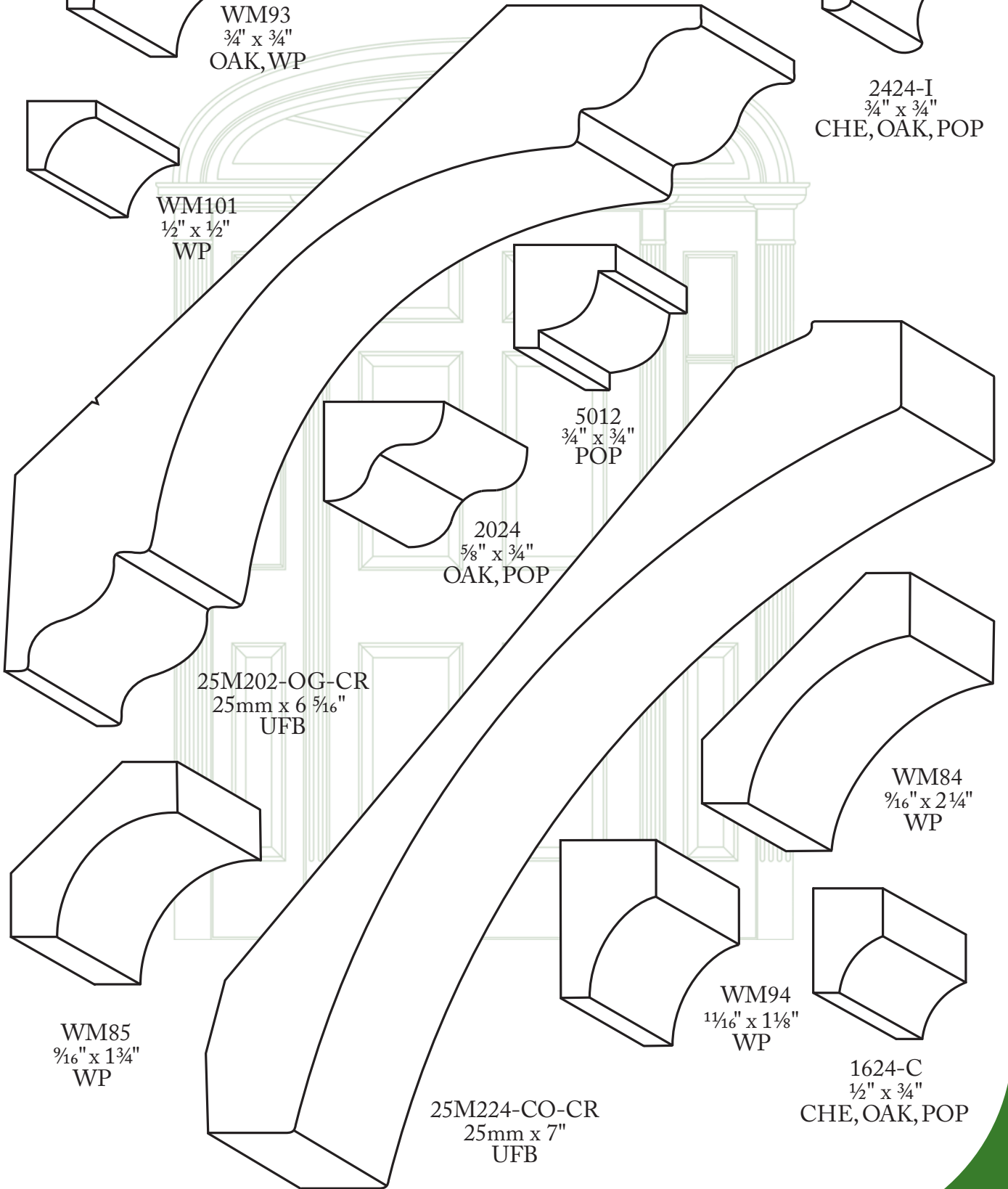
WM101  
1/2" x 1/2"  
WP



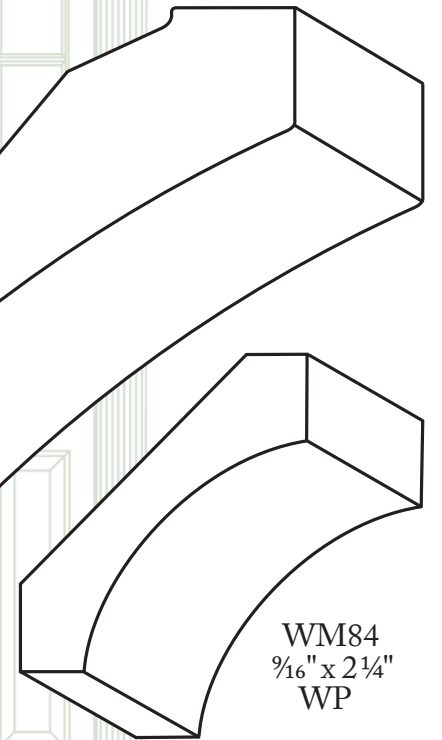
5012  
3/4" x 3/4"  
POP



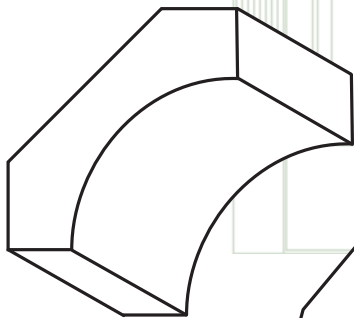
2024  
5/8" x 3/4"  
OAK, POP



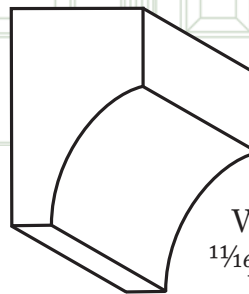
25M202-OG-CR  
25mm x 6 5/16"  
UFB



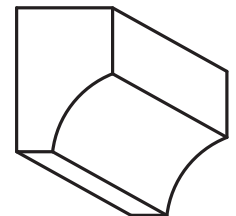
WM84  
5/16" x 2 1/4"  
WP



WM85  
5/16" x 1 3/4"  
WP



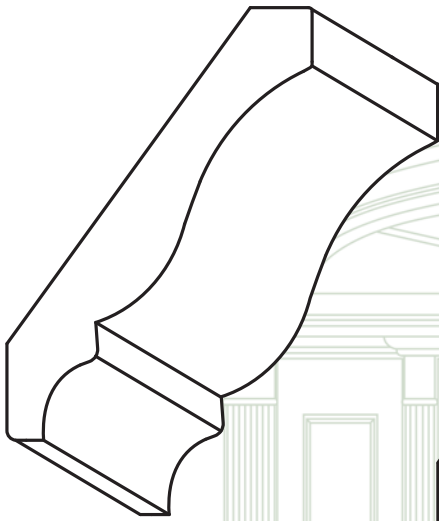
WM94  
1 1/16" x 1 1/8"  
WP



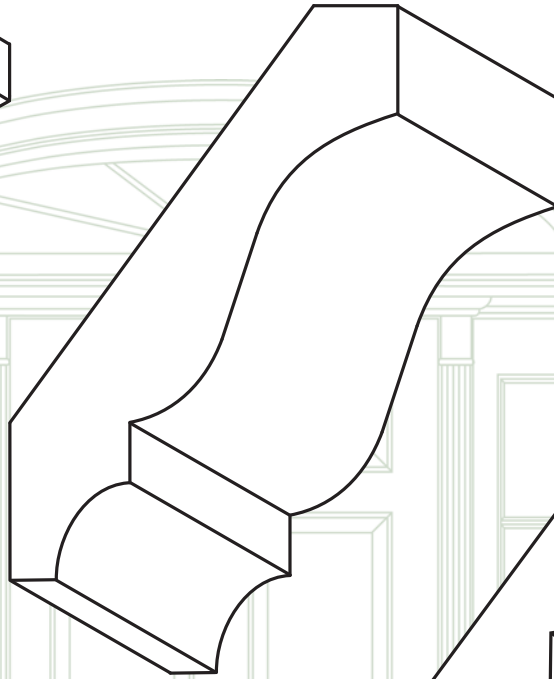
1624-C  
1/2" x 3/4"  
CHE, OAK, POP

25M224-CO-CR  
25mm x 7"  
UFB

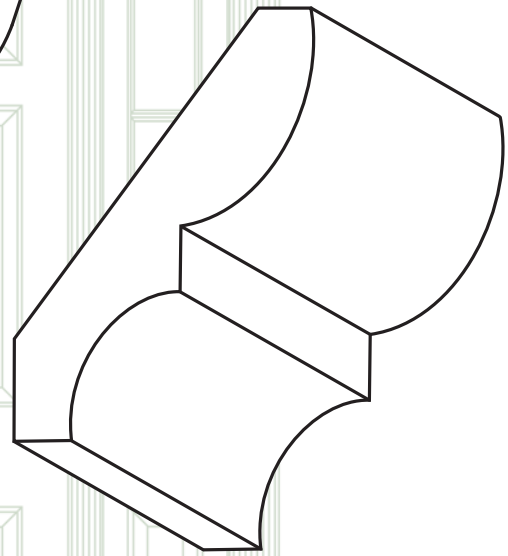
## Sprung Bed Mould and Crown Profiles



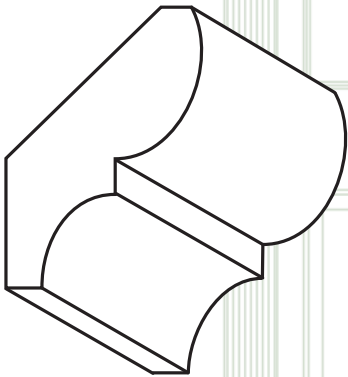
52-CR  
 $\frac{9}{16}$ " x  $2\frac{3}{4}$ "  
WP



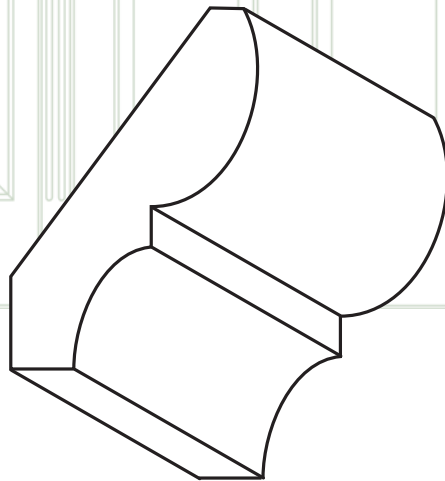
WM49  
 $1\frac{1}{16}$ " x  $3\frac{5}{8}$ "  
FJR,MA,POAK,  
PO,UFB



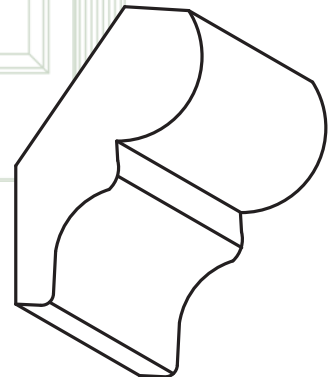
WM70  
 $\frac{9}{16}$ " x  $2\frac{3}{4}$ "  
WP



WM74  
 $\frac{9}{16}$ " x  $1\frac{3}{4}$ "  
FJR,WP

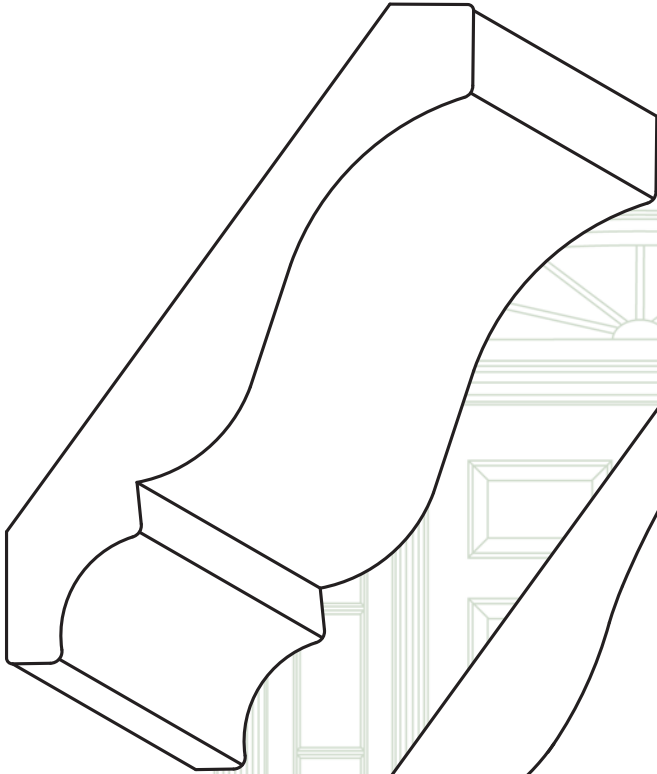


WM72  
 $\frac{9}{16}$ " x  $2\frac{1}{4}$ "  
WP

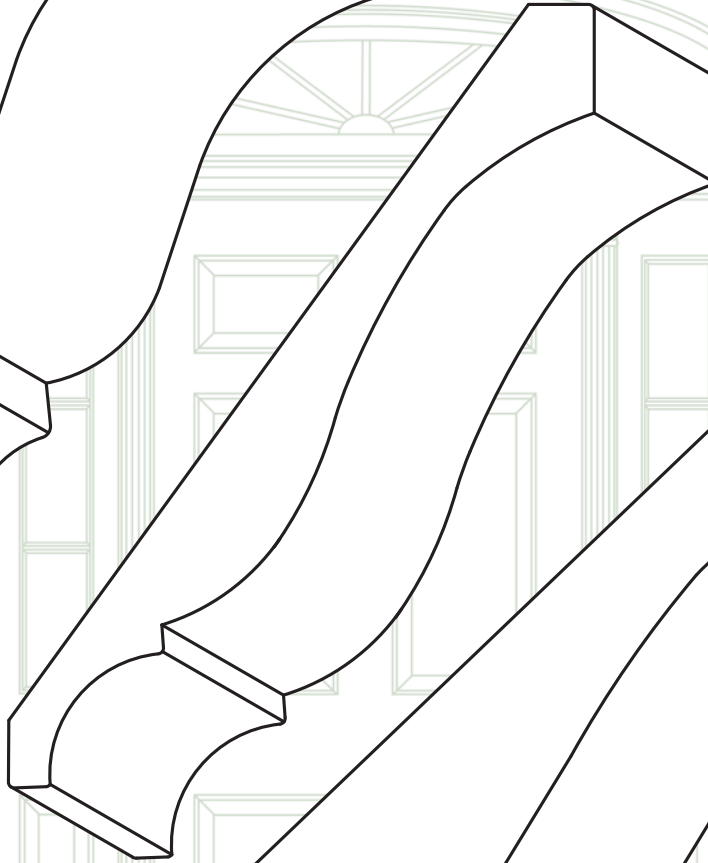


1857-CR  
 $\frac{9}{16}$ " X  $1\frac{25}{32}$ "  
CHE,OAK,POP

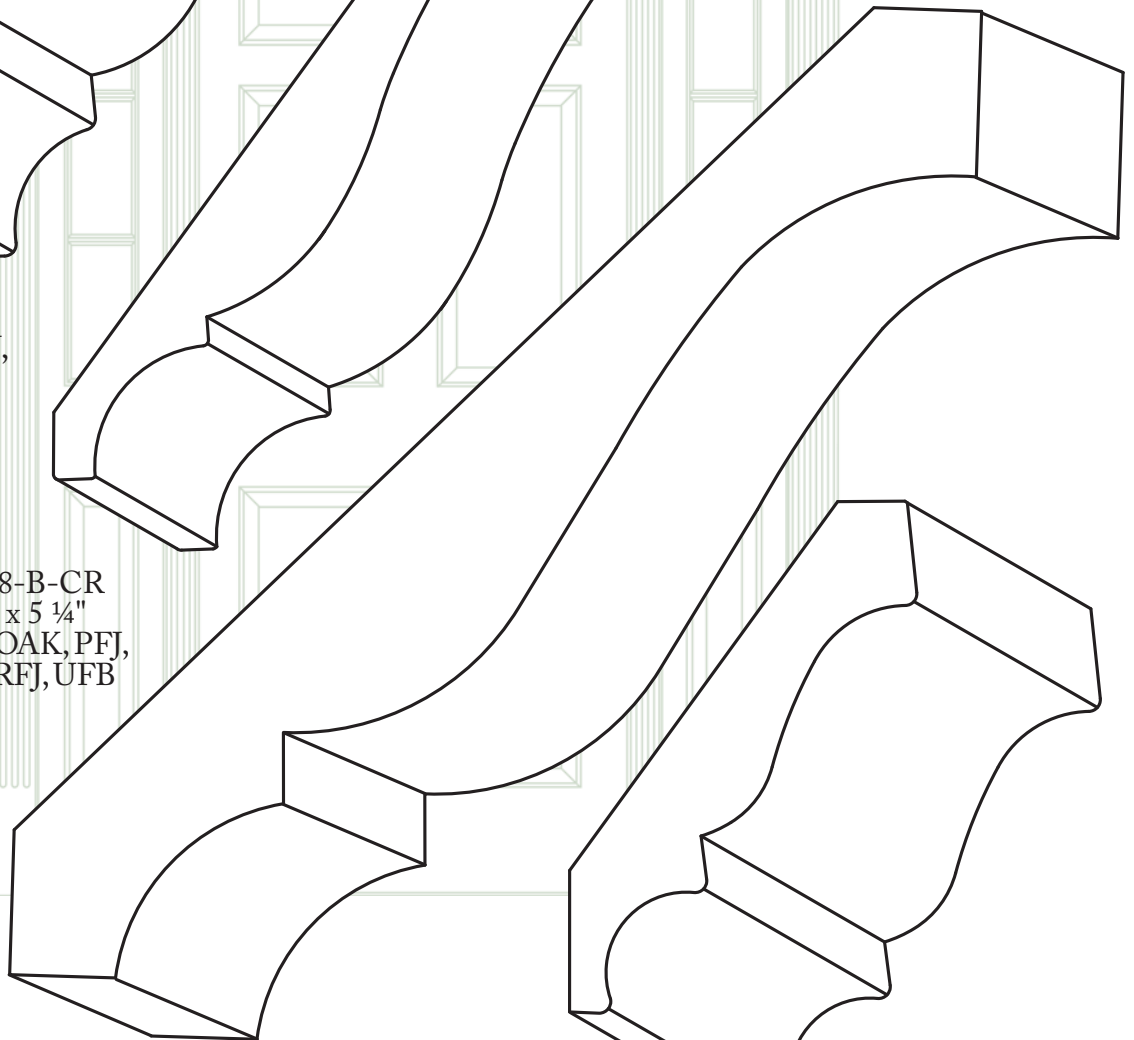
## Colonial Crown Profiles



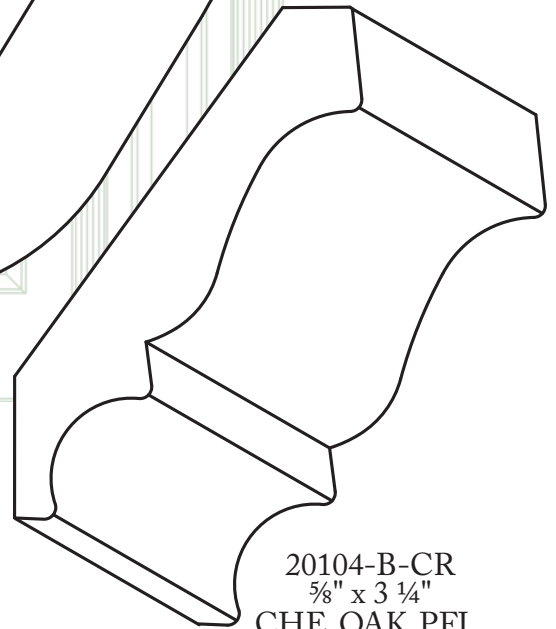
20136-B-CR  
 $\frac{5}{8}$ " x 4  $\frac{1}{4}$ "  
CHE, FLX, OAK, PFJ,  
POP, RFJ, UFB



20168-B-CR  
 $\frac{5}{8}$ " x 5  $\frac{1}{4}$ "  
CHE, OAK, PFJ,  
POP, RFJ, UFB

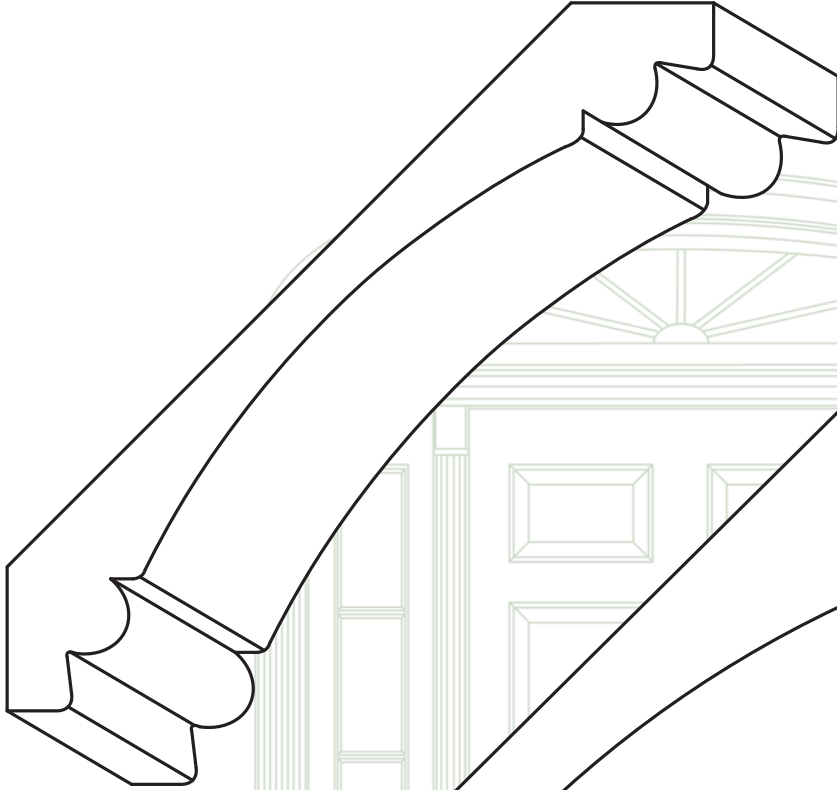


34232-B-CR  
1  $\frac{1}{16}$ " x 7  $\frac{1}{4}$ "  
FLX, OAK, POP

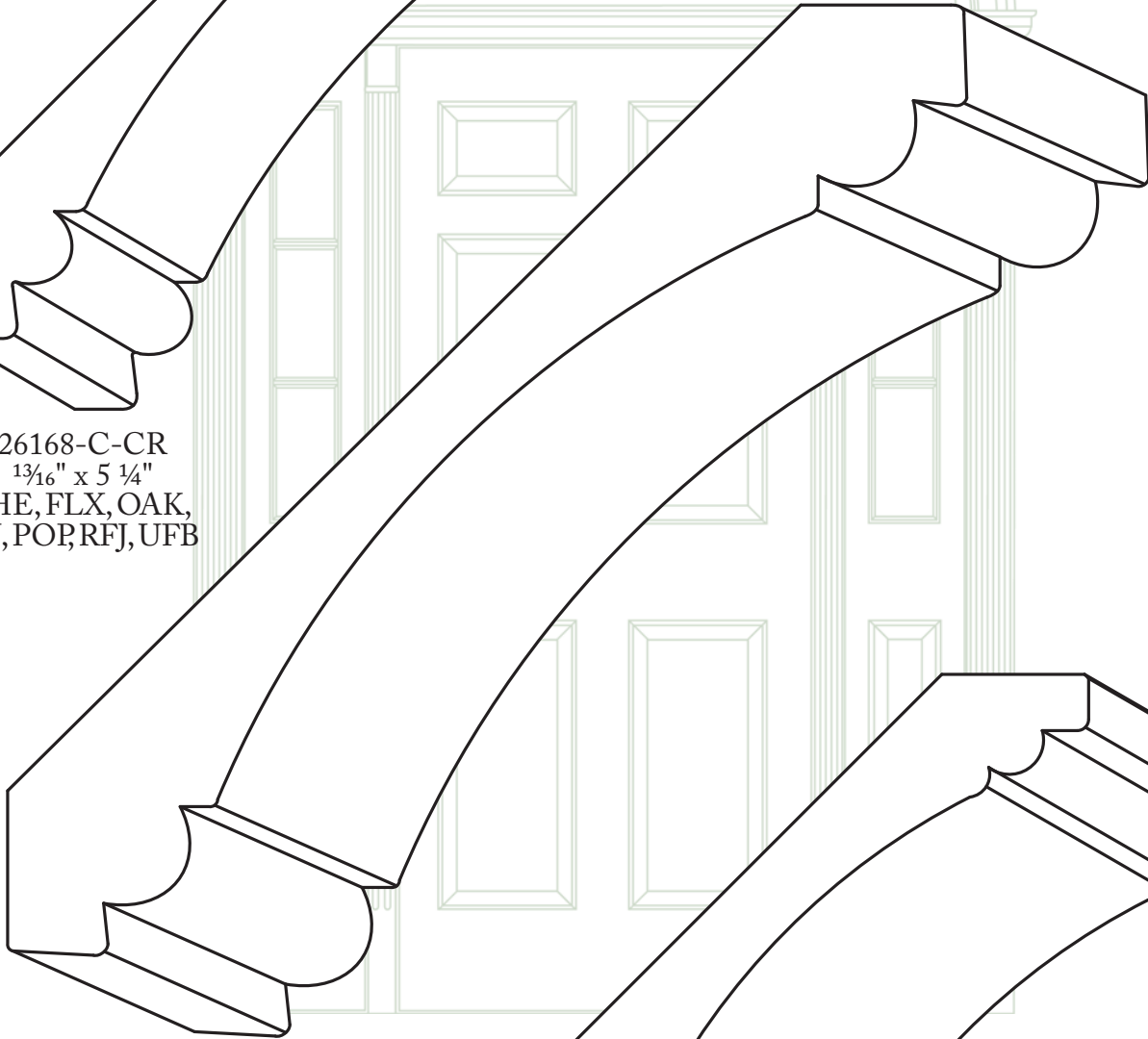


20104-B-CR  
 $\frac{5}{8}$ " x 3  $\frac{1}{4}$ "  
CHE, OAK, PFJ,  
POP, RFJ, UFB

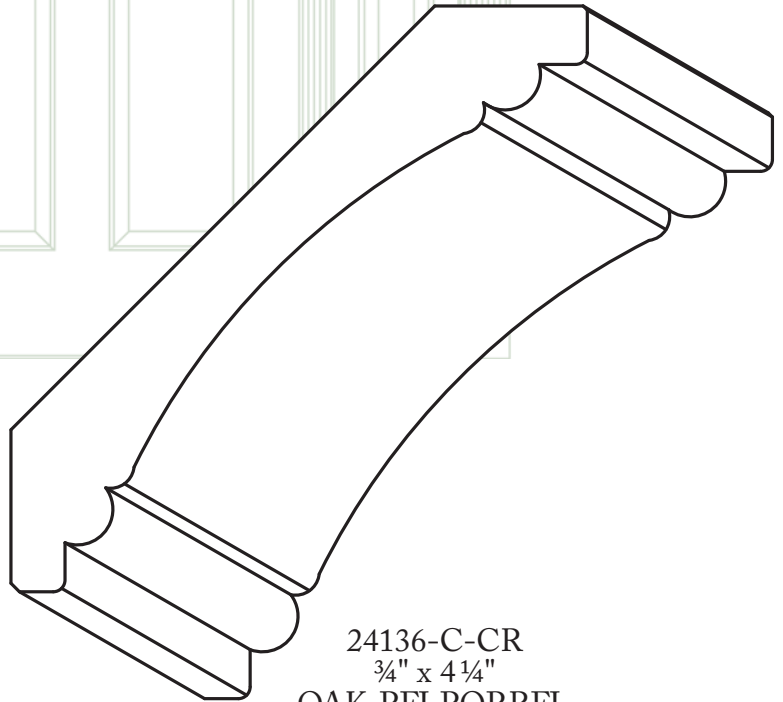
## Beaded Cove Profiles



26168-C-CR  
1<sup>3</sup>/<sub>16</sub>" x 5 1/4"  
CHE, FLX, OAK,  
PFJ, POP, RFJ, UFB

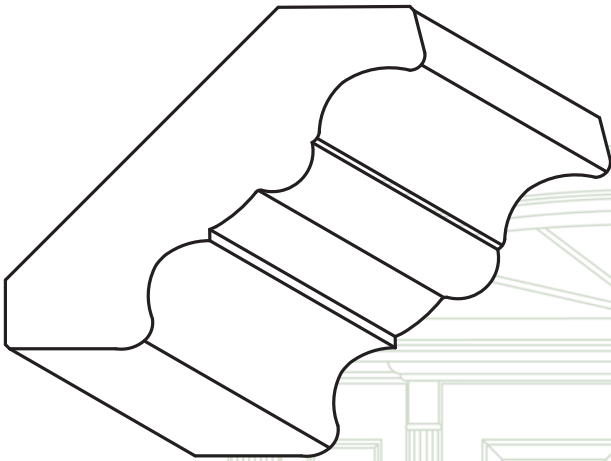


25M232-C-CR  
25mm x 7 1/4"  
FLX, UFB

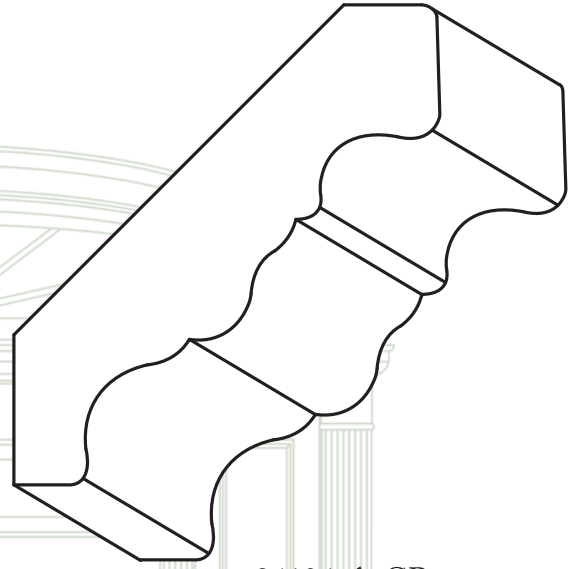


24136-C-CR  
3/4" x 4 1/4"  
OAK, PFJ, POP, RFJ

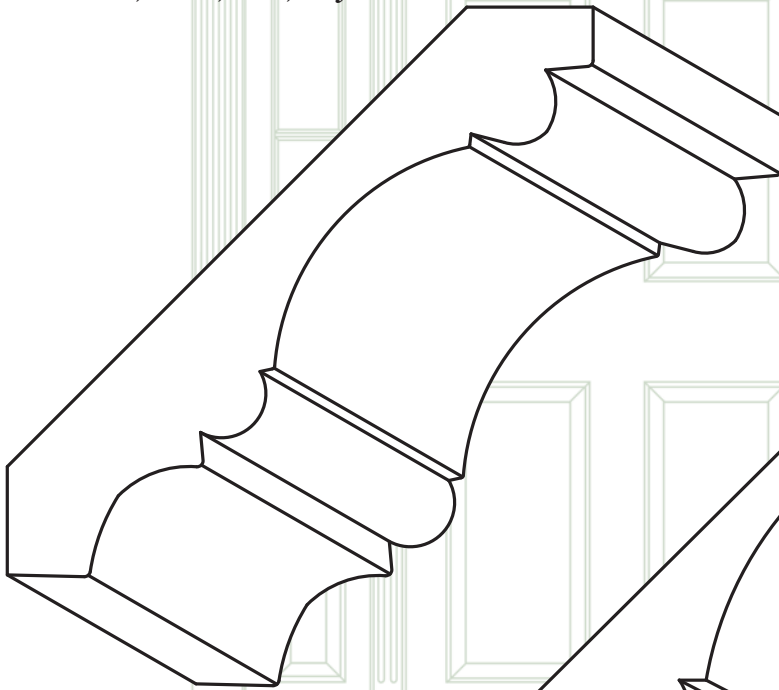
## Beaded Crown Profiles



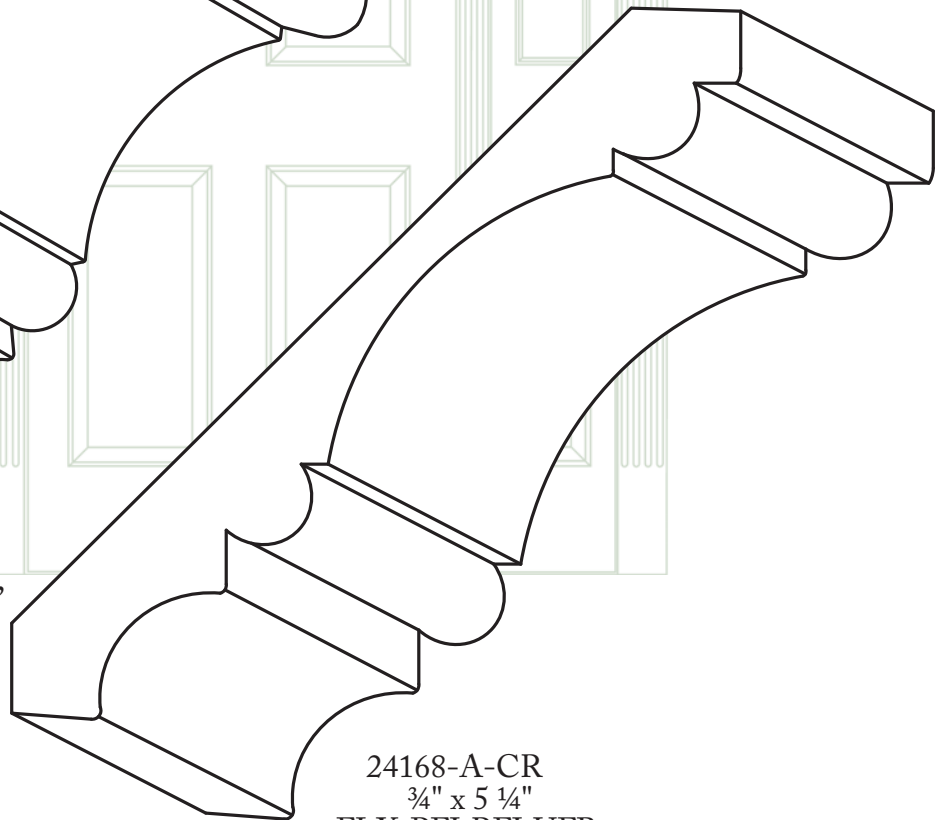
2488-A-CR  
 $\frac{3}{4}$ " x 2  $\frac{3}{4}$ "  
CHE, OAK, POP, RFJ



24104-A-CR  
 $\frac{3}{4}$ " x 3  $\frac{1}{4}$ "  
PFJ, POP, RFJ

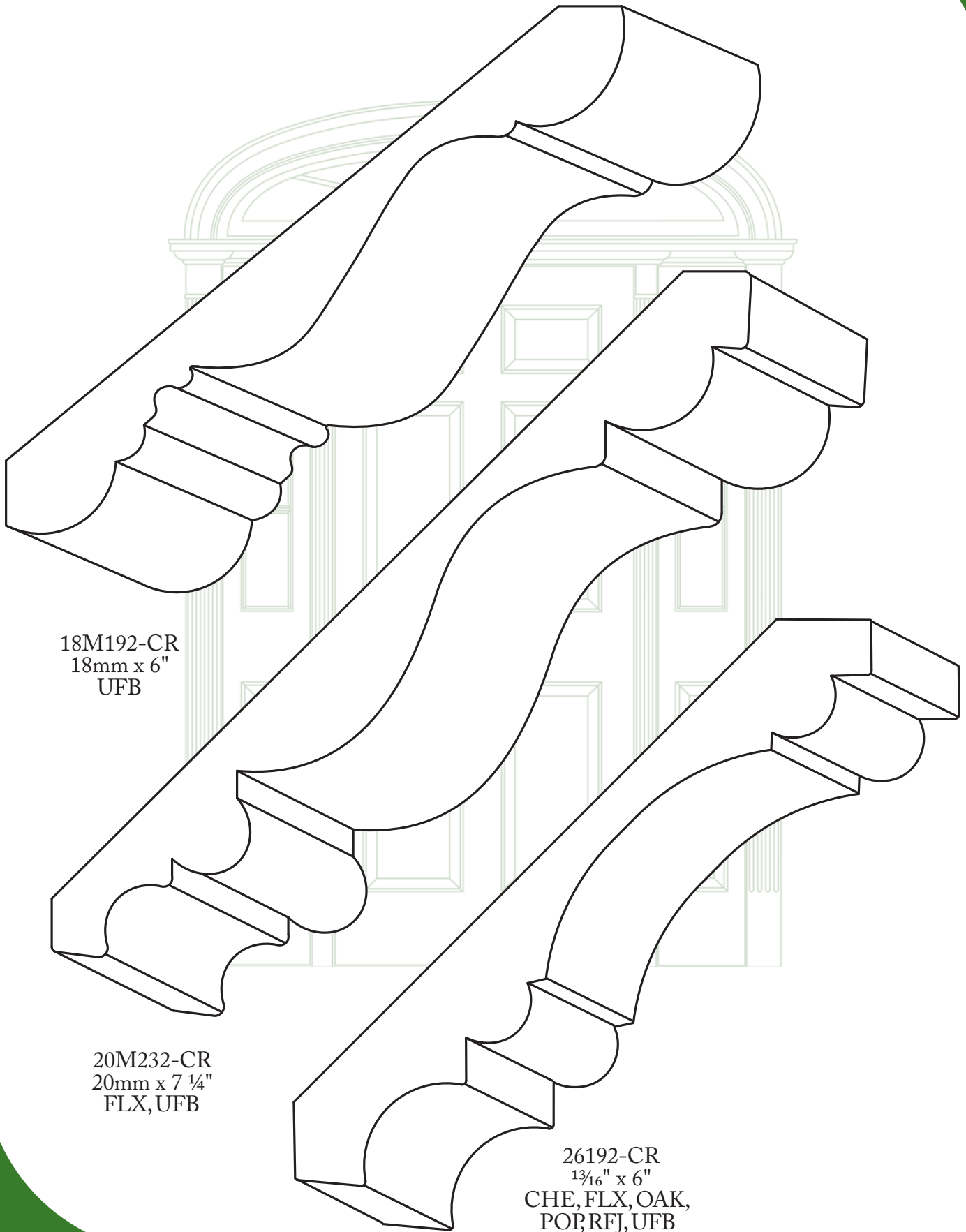


24136-A-CR  
 $\frac{3}{4}$ " x 4  $\frac{1}{4}$ "  
CHE, FLX, OAK, PFJ,  
POP, RFJ, UFB



24168-A-CR  
 $\frac{3}{4}$ " x 5  $\frac{1}{4}$ "  
FLX, PFJ, RFJ, UFB

## Beaded Crown Profiles

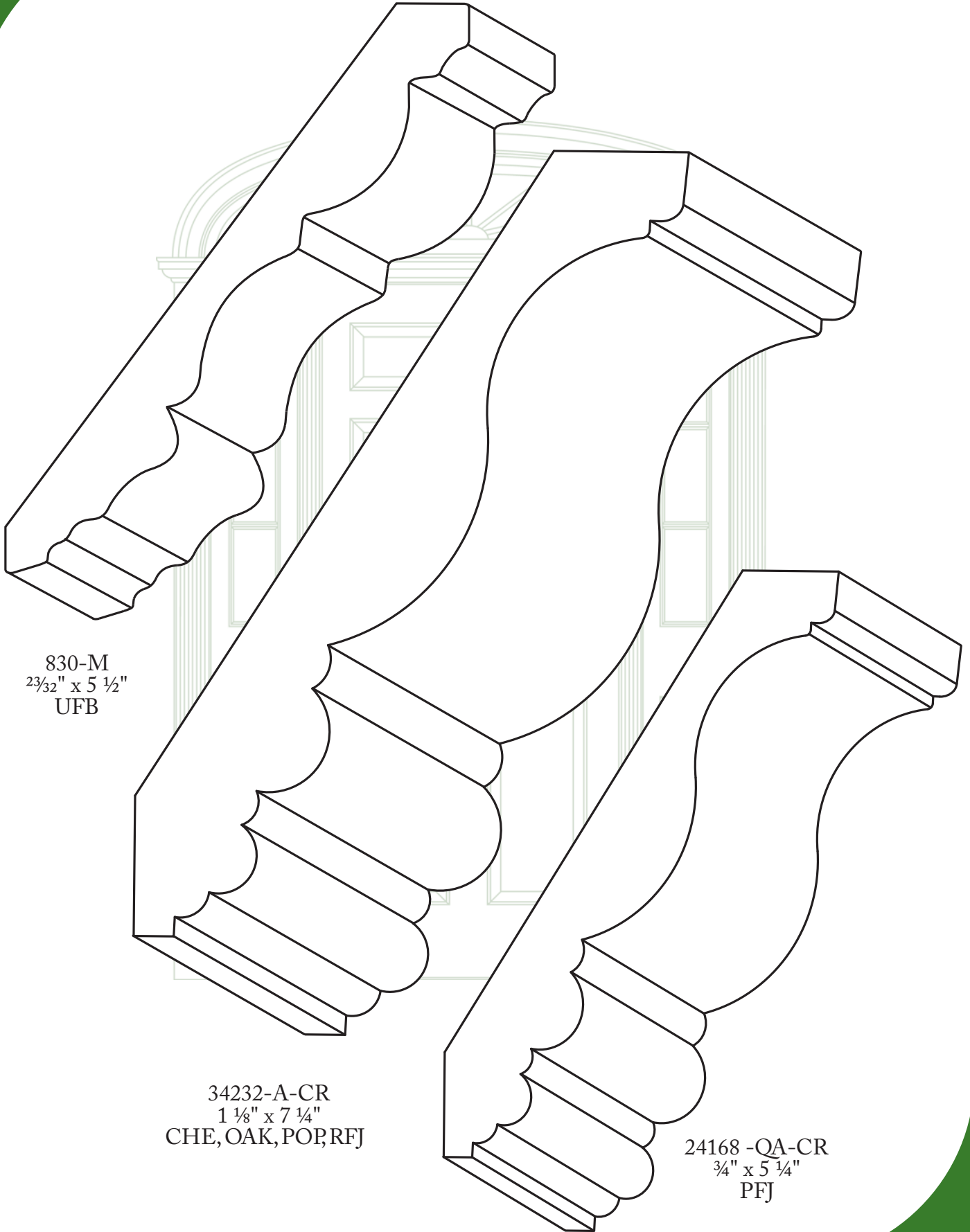


18M192-CR  
18mm x 6"  
UFB

20M232-CR  
20mm x 7 1/4"  
FLX, UFB

26192-CR  
1 3/16" x 6"  
CHE, FLX, OAK,  
PO, RFJ, UFB

## Beaded Crown Profiles

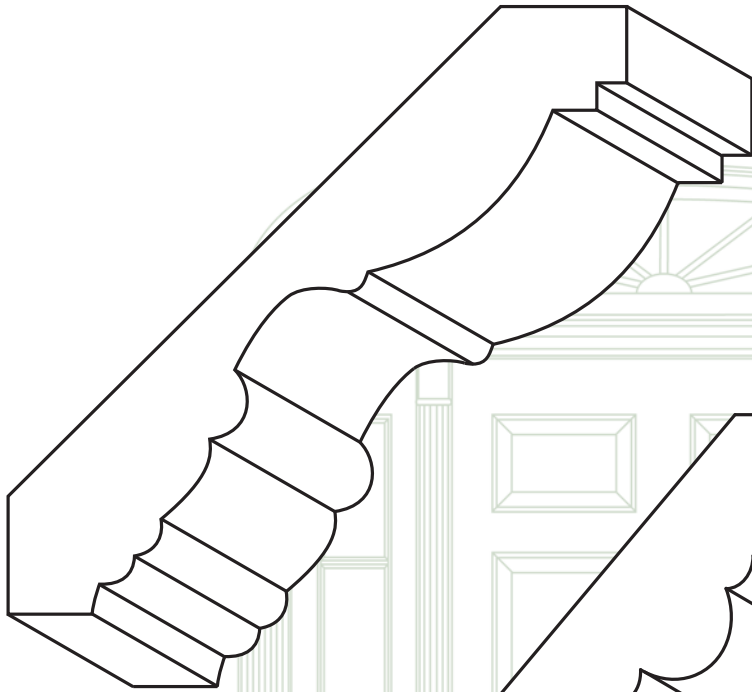


830-M  
2<sup>3</sup>/<sub>32</sub>" x 5 1/2"  
UFB

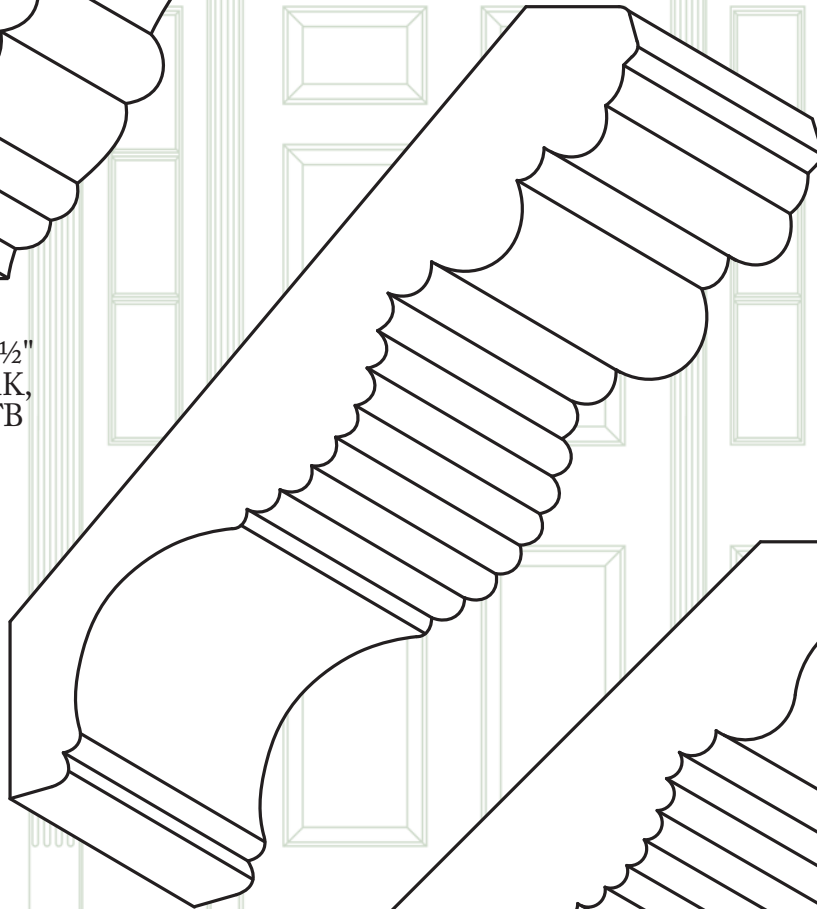
34232-A-CR  
1 1/8" x 7 1/4"  
CHE, OAK, POP, RFJ

24168-QA-CR  
3/4" x 5 1/4"  
PFJ

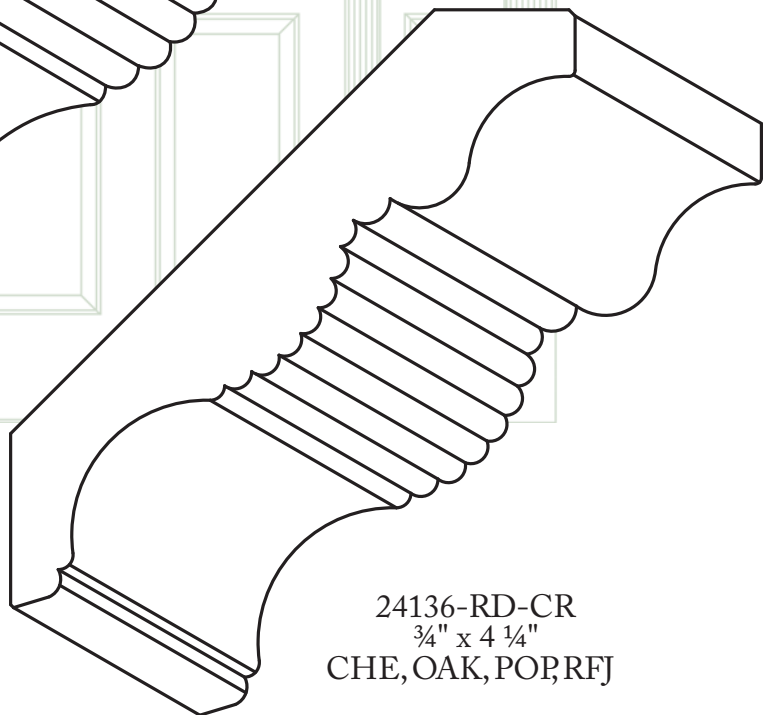
## Reeded Crown Profiles



712  
1<sup>3</sup>/<sub>16</sub>" x 4 1/2"  
MA, OAK,  
PO, UFB



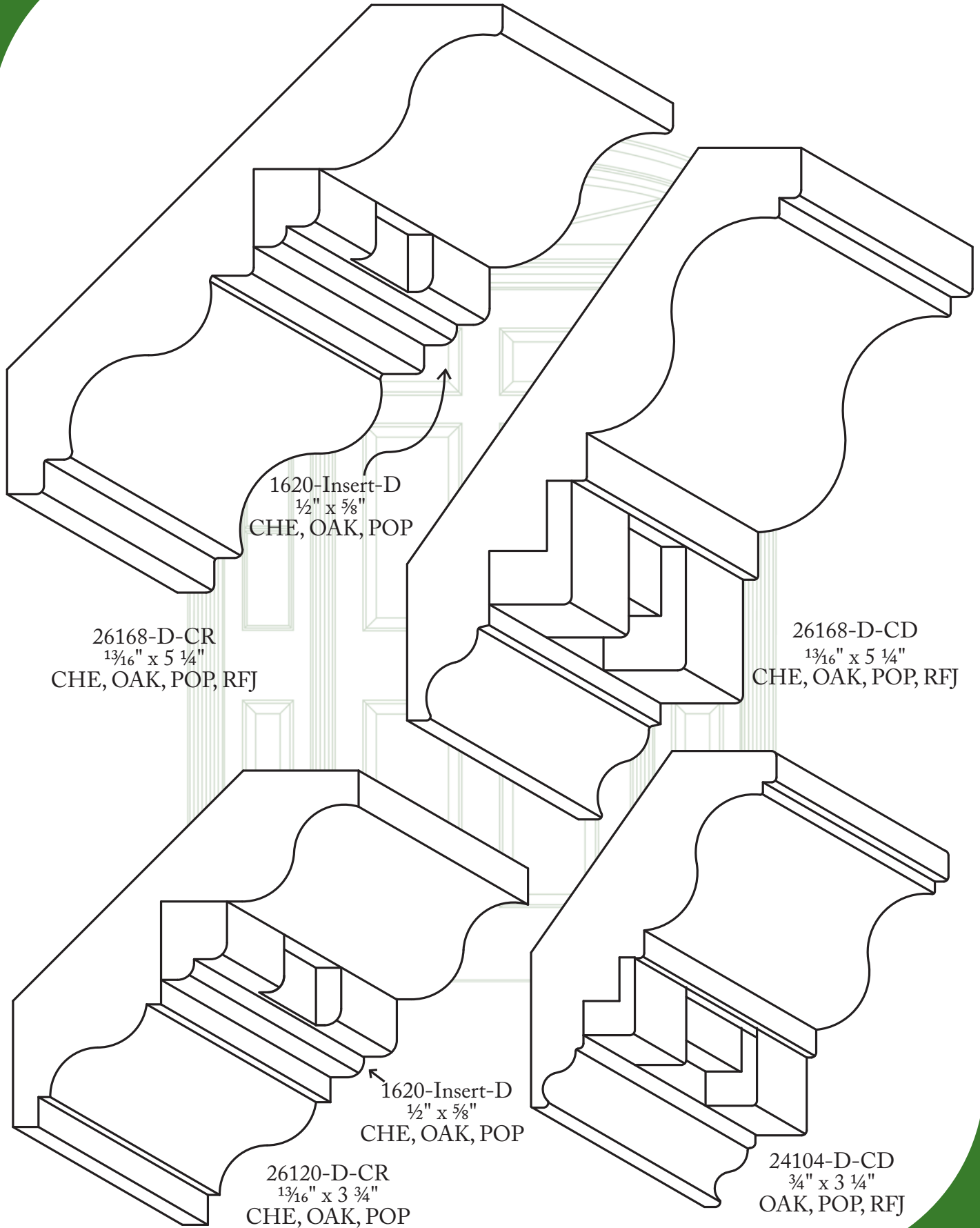
24168-RD-CR  
3/4" x 5 1/4"  
RFJ



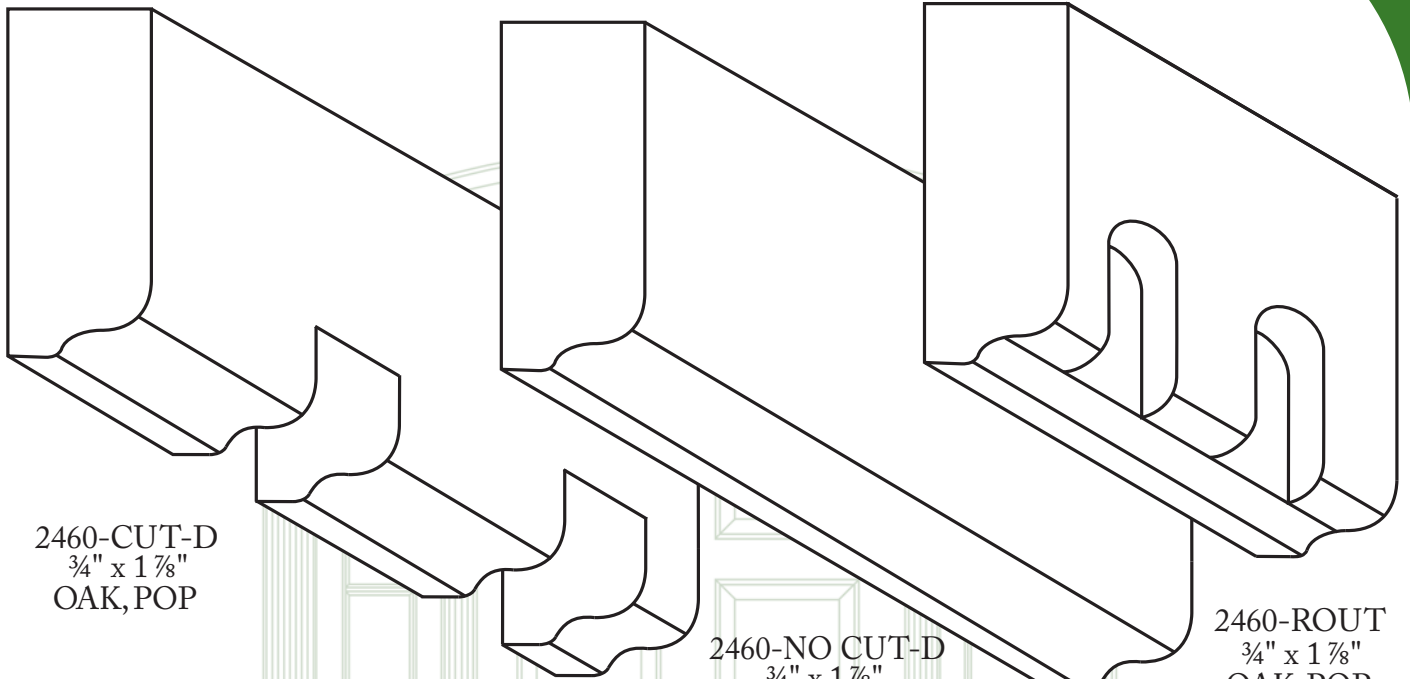
24136-RD-CR  
3/4" x 4 1/4"  
CHE, OAK, PO, RFJ



## Dentil Crown Profiles



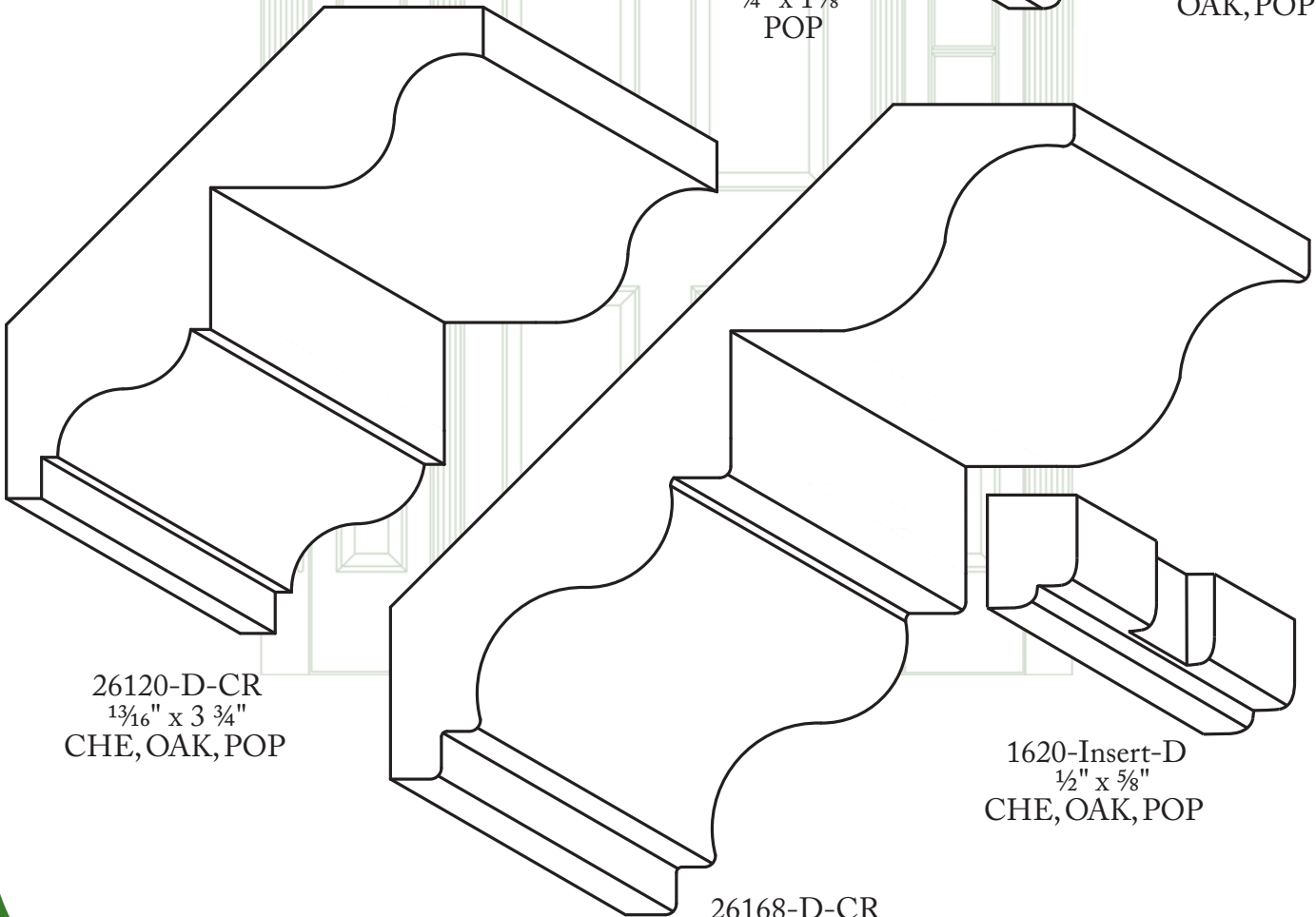
## Dentils Crowns and Dentil Moulds



2460-CUT-D  
3/4" x 1 7/8"  
OAK, POP

2460-NO CUT-D  
3/4" x 1 7/8"  
POP

2460-ROUT  
3/4" x 1 7/8"  
OAK, POP

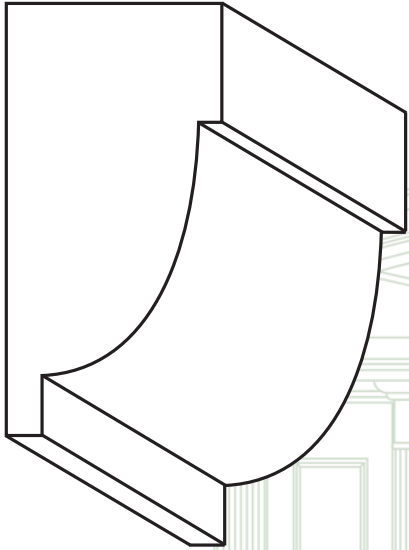


26120-D-CR  
1 3/16" x 3 3/4"  
CHE, OAK, POP

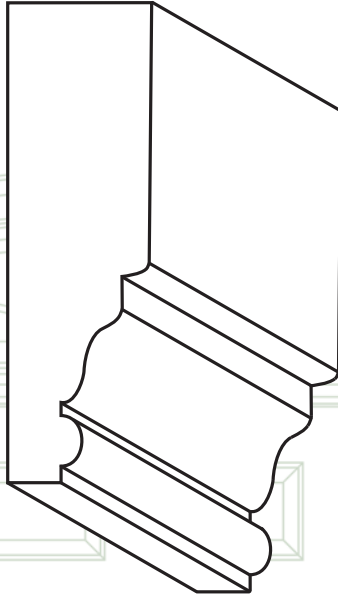
26168-D-CR  
1 3/16" x 5 1/4"  
CHE, OAK, POP, RFJ

1620-Insert-D  
1/2" x 5/8"  
CHE, OAK, POP

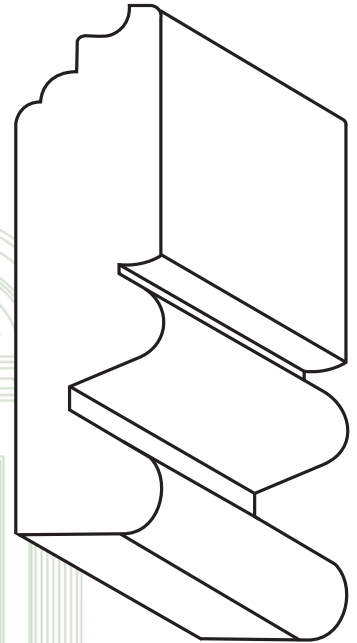
## Crown Enhancers



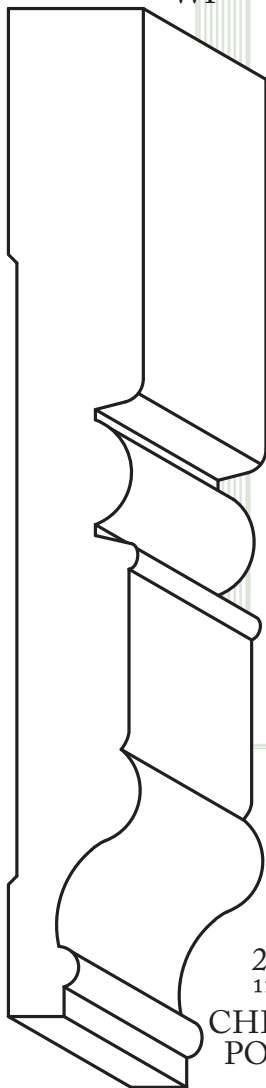
286-RAKE  
1 1/8" x 2 1/4"  
WP



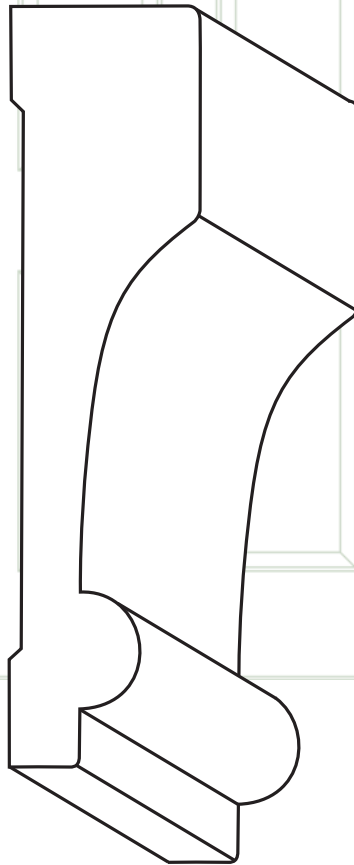
2480-CRB  
3/4" x 2 1/2"  
OAK, PFJ, POP



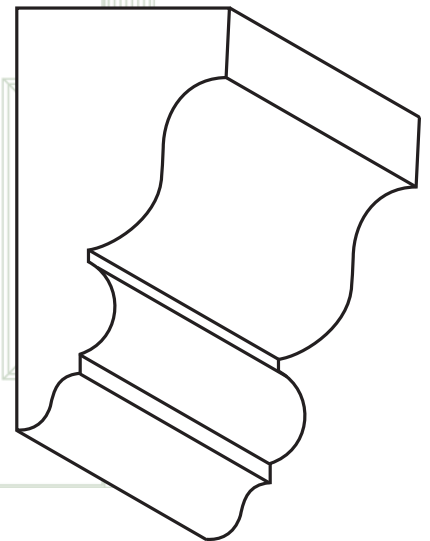
2488-EJ-CB  
3/4" x 2 3/4"  
POP, RFJ  
Reversible



22168-E-B  
1 1/16" x 5 1/4"  
CHE, OAK, PFJ,  
POP, RFJ, UFB

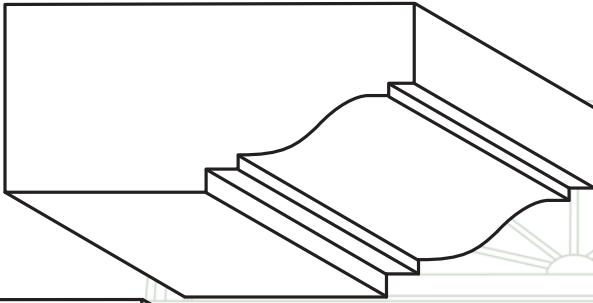


32128-CRB  
1" x 4"  
POP, RFJ

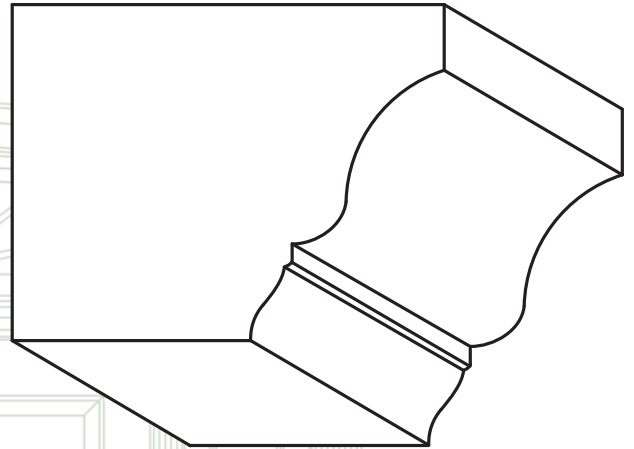


9083-M  
1 3/8" x 2 3/4"  
UFB

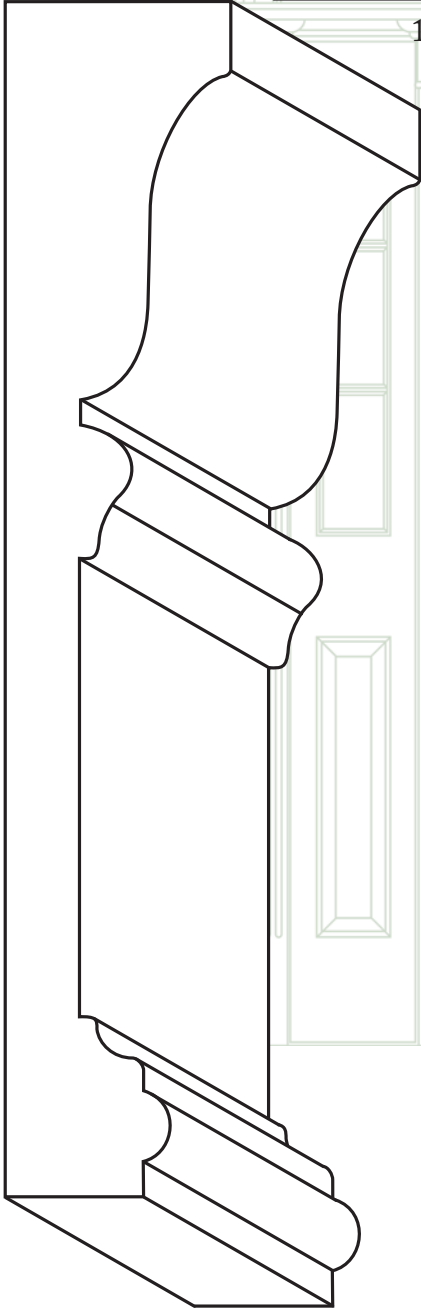
## Entablature Architrave / Frieze / Cornice



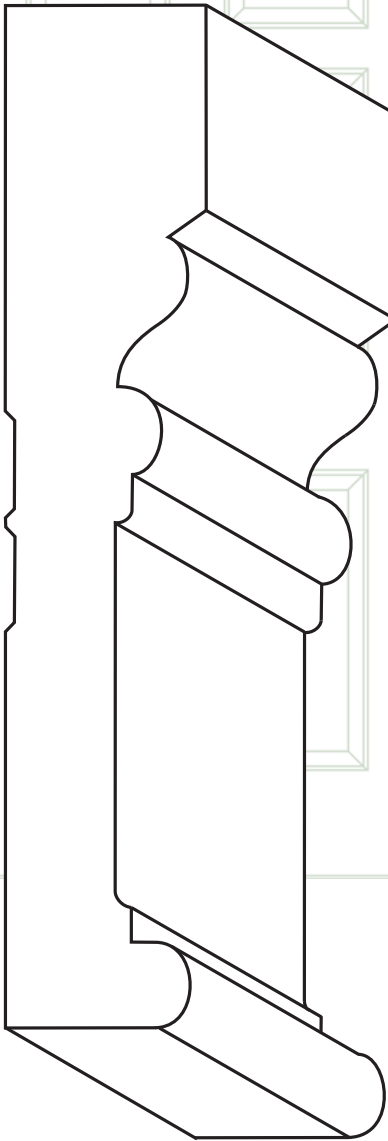
140TC-CB  
1" x 2 1/8"  
POP



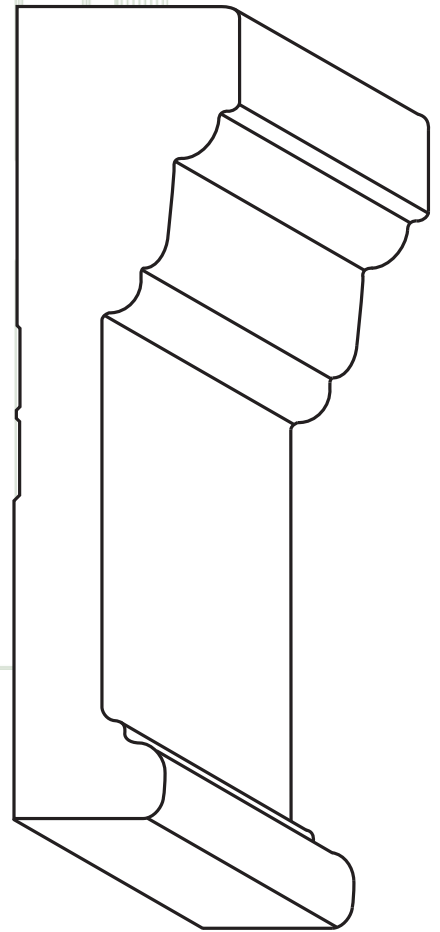
150TC-CB  
1 3/4" x 2 1/4"  
POP



5030M  
1 3/16" x 6 1/4"  
UFB



190DH  
1 1/16" x 5 5/16"  
POP



5010M  
1 3/16" x 4 1/4"  
UFB