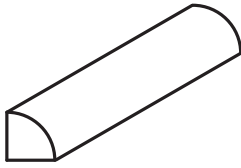
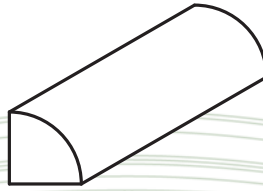


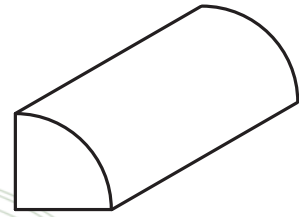
Quarter, Half, and Full Rounds



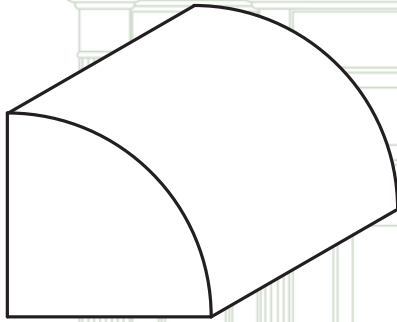
110-QR
 $\frac{1}{4}'' \times \frac{1}{4}''$
 WP



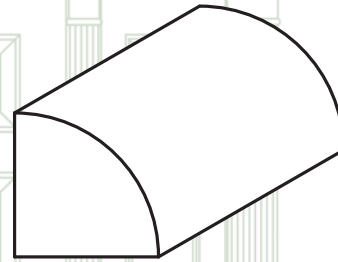
1212-QR
 $\frac{3}{8}'' \times \frac{3}{8}''$
 OAK, POP



108-QR
 $\frac{1}{2}'' \times \frac{1}{2}''$
 WP



103-QR
 $1 \frac{1}{16}'' \times 1 \frac{1}{16}''$
 WP



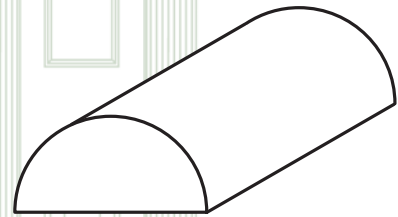
2424-QR
 $\frac{3}{4}'' \times \frac{3}{4}''$
 MAP, OAK, POP



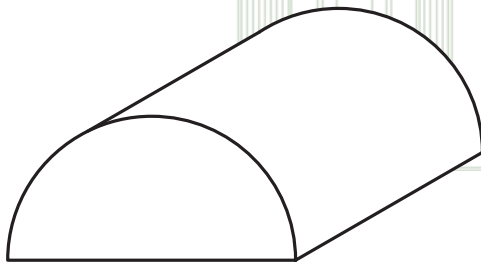
123-HR
 $\frac{5}{16}'' \times \frac{5}{8}''$
 WP



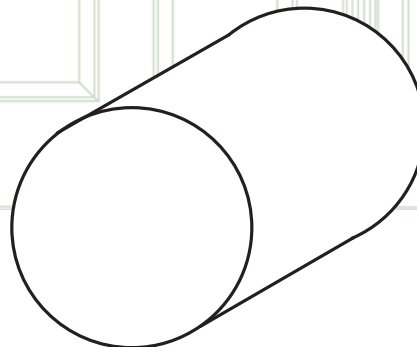
1224-HR
 $\frac{3}{8}'' \times \frac{3}{4}''$
 CHE, OAK, POP



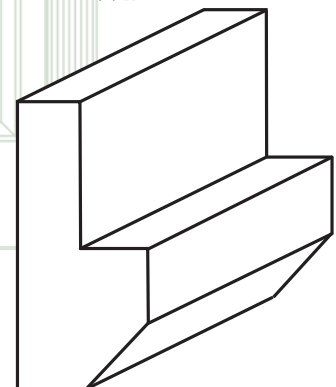
120-HR
 $\frac{1}{2}'' \times 1''$
 WP



2448-HR
 $\frac{3}{4}'' \times 1 \frac{1}{2}''$
 OAK, POP



8912
 $1 \frac{1}{4}'' \times 1 \frac{1}{4}''$
 WP
 Closet Pole



8242
 $\frac{9}{16}'' \times 1 \frac{5}{8}''$
 FJP, WP
 Shelf Cleat